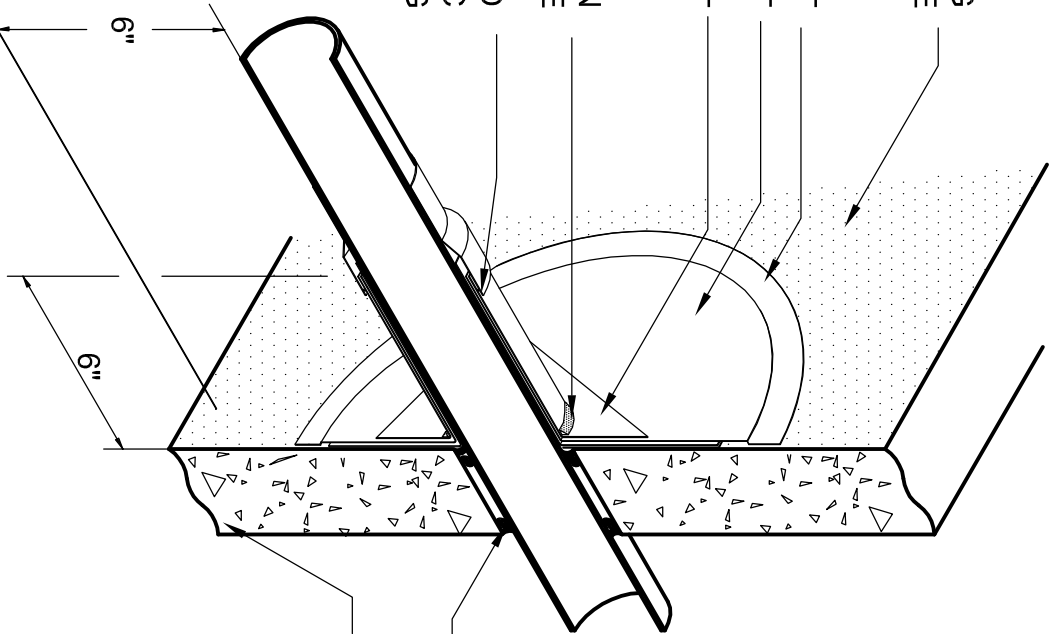


HYPROOF WATERPROOFING  
MEMBRANE

FIRST PLY SHEET  
SECOND PLY SHEET  
THIRD PLY SHEET

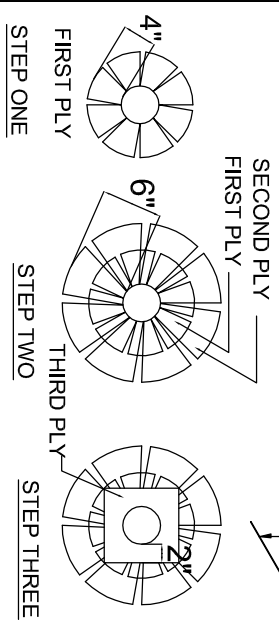
3/4" HYLOAD TROWEL ON  
MEMBRANE  
COMPRESSION BAND W/ HYLOAD  
WATERPROOFING MASTIC  
APPLIED FLASHING



SEPERATE PIPES FROM OTHER  
PIPES 12" MIN. EXTEND PIPES 8"  
MIN. BEYOND OUTSIDE WALL  
BEFORE ELBOW, 'Y' OR OTHER  
CHANGES

SEALANT AND BACKER ROD BOTH  
SIDES (ELASTOMERIC  
COMPRESSION SEAL MAY BE  
USED)

BELOW GRADE WALL



**HYLOAD**  
WATERPROOFING

PIPE PENETRATION IN BELOW  
GRADE WALL WITH  
REINFORCEMENT FLASHING

DWG NO. **WP016**

SIZE  
A

REV  
A

SCALE  
NTS

DRAWN BY  
GDS

SHEET  
1 of 1