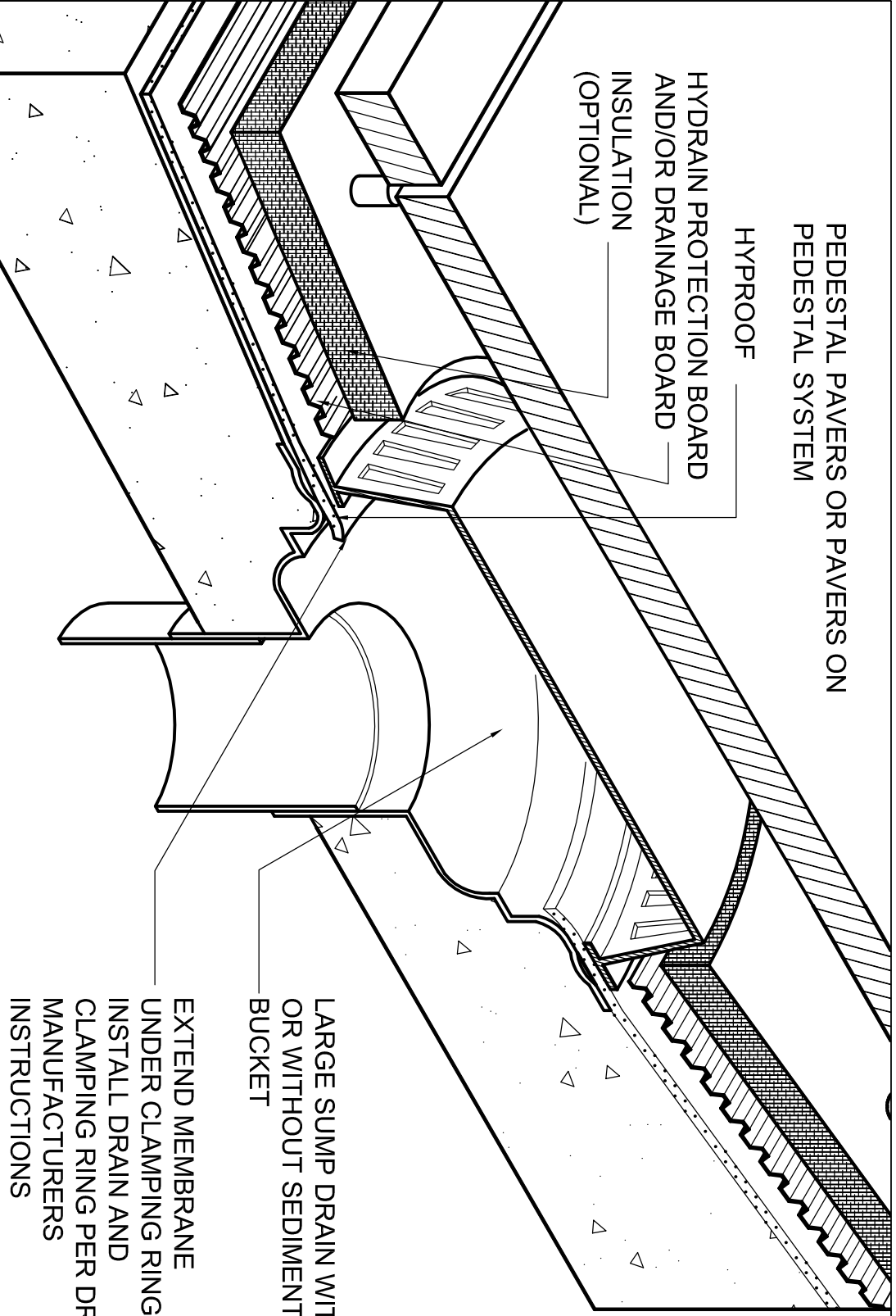


PEDESTAL PAVERS OR PAVERS ON  
PEDESTAL SYSTEM

HYPROOF

HYDRAIN PROTECTION BOARD  
AND/OR DRAINAGE BOARD

INSULATION  
(OPTIONAL)



LARGE SUMP DRAIN WITH  
OR WITHOUT SEDIMENT  
BUCKET

EXTEND MEMBRANE  
UNDER CLAMPING RING  
INSTALL DRAIN AND  
CLAMPING RING PER DRAIN  
MANUFACTURERS  
INSTRUCTIONS

NOTE: ALL DRAIN BOWLS  
MUST BE AT OR BELOW  
GRADE OF CONCRETE  
DECK

**HYLOAD**  
WATERPROOFING

PLAZA DRAIN WITH PAVERS  
(DRAIN COVERS)

SIZE	DWG NO.	REV
A	WP20	A

SCALE	NTS	DRAWN BY	GDS	SHEET	1 of 1
-------	-----	----------	-----	-------	--------