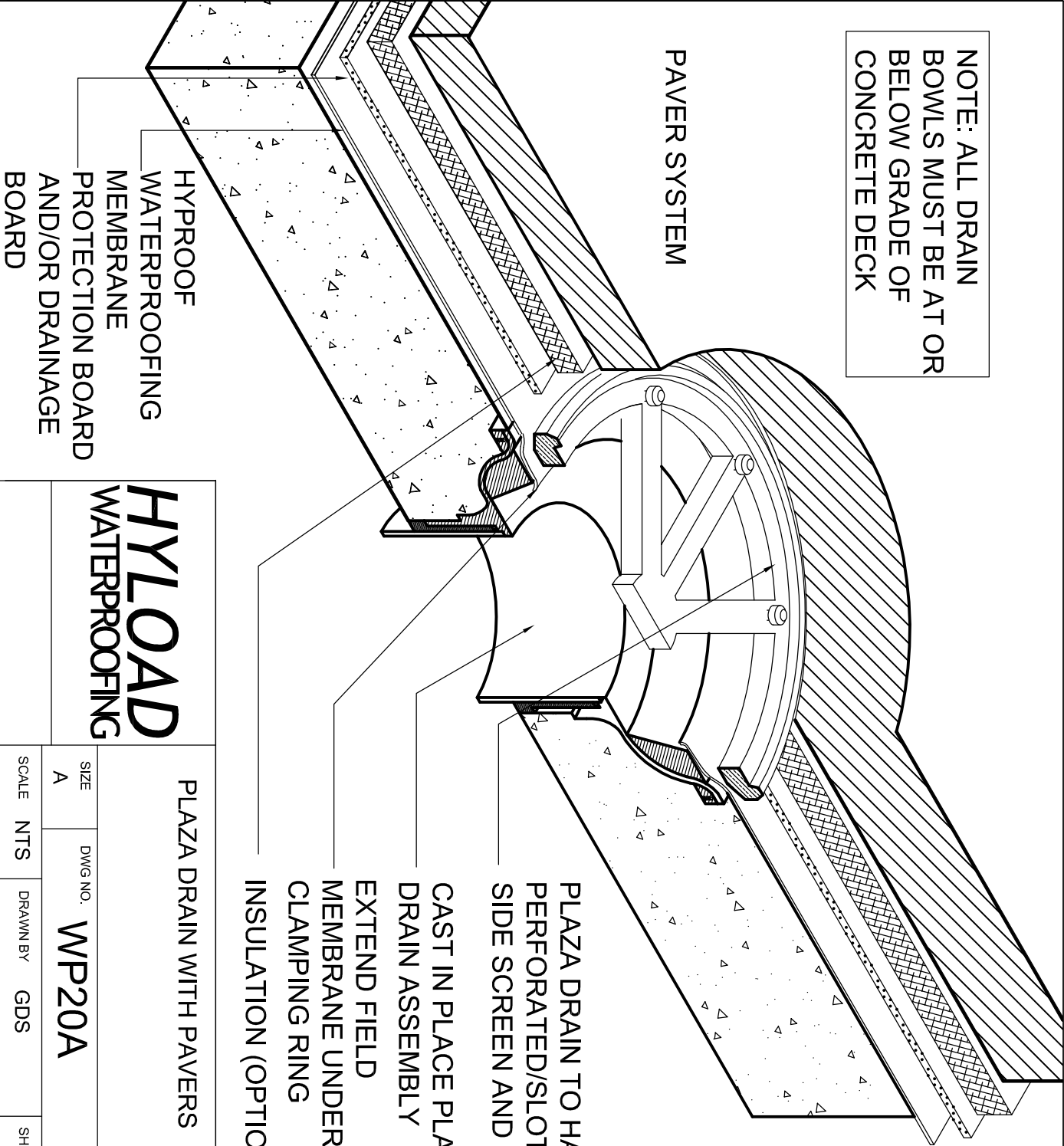


**NOTE: ALL DRAIN BOWLS MUST BE AT OR BELOW GRADE OF CONCRETE DECK**

**PAVER SYSTEM**



PLAZA DRAIN TO HAVE PERFORATED/SLOTTED SIDE SCREEN AND TOP

CAST IN PLACE PLAZA DRAIN ASSEMBLY

EXTEND FIELD MEMBRANE UNDER CLAMPING RING

INSULATION (OPTIONAL)

**HYLOAD WATERPROOFING**

PLAZA DRAIN WITH PAVERS

SIZE	DWG NO.	REV
A	WP20A	A
SCALE	DRAWN BY	SHEET
NTS	GDS	1 of 1